



- Made from SS316 using special precision casting methods.
- These fin plates are offered in excellent machine as well as mirror polished finishes.
- The design of these spiders offers high on side adjustment possibilities.
- Special mounting possibilities and to add to all low cost.
- These fin plates can be very easily used in applications using smaller panels on fin plates.



BFT



BFT4



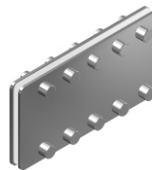
BFT4.5



BFP



BFP4

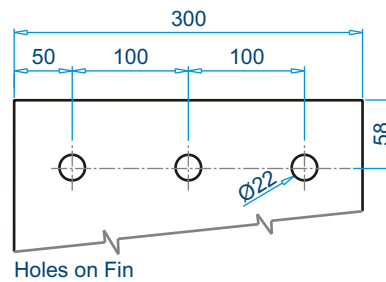
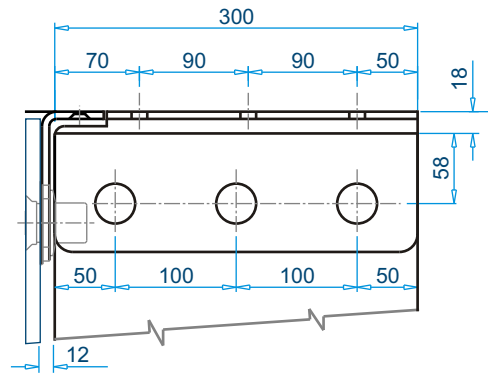
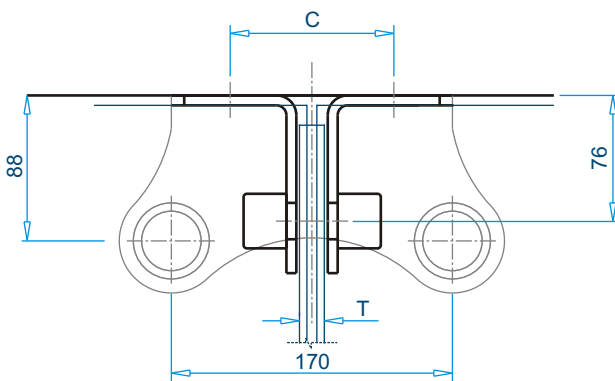
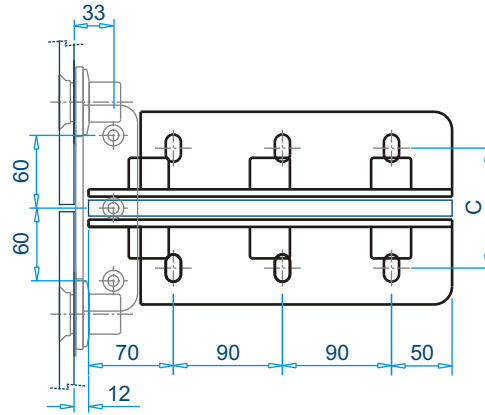


BFP4.5

**BFT**

Butterfly in Top ■  
SS316 ■

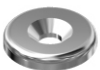
Ord Nr. : M26762



Accessories to be ordered separately

S.No.	Fin Thickness - T	C
1	12 mm	96 mm
2	15 mm	99 mm
3	19 mm	103 mm

**Accessories**



RS2FBB Washer  
Ord Nr. M10138



Fisher Anchor SLM 8N  
Ord Nr. M10075



CSK Allen Screw M8X60  
Ord Nr. M12633



Grouting Plate BFT  
Details on page 7

**Tools**



18X19

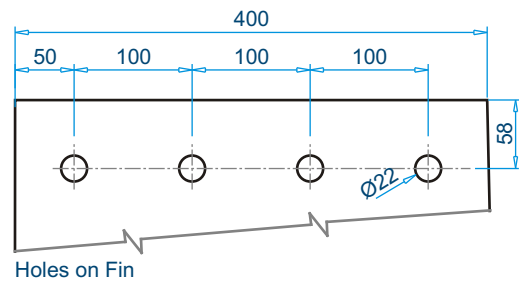
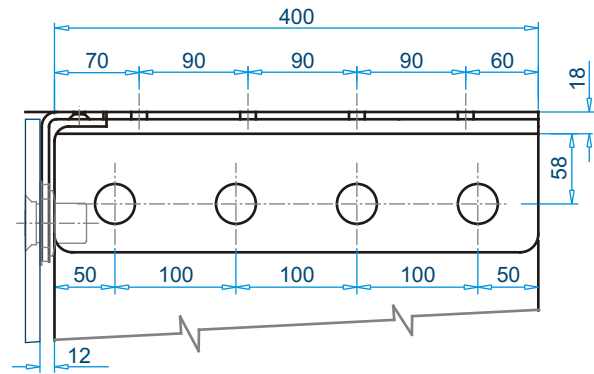
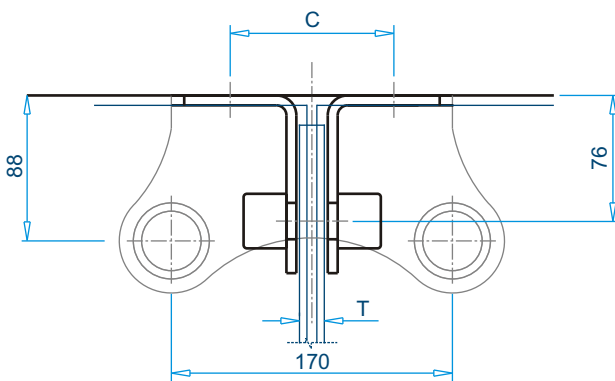
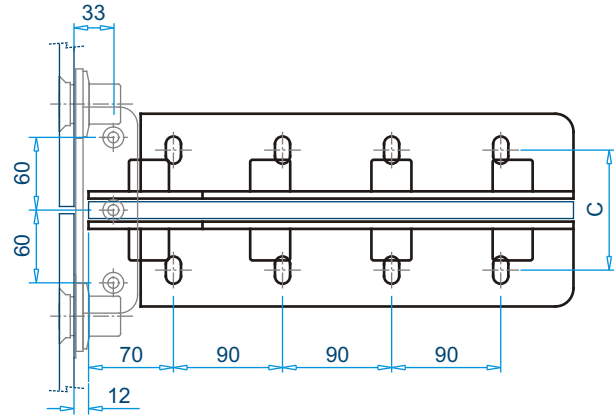


ALLEN 5

**BFT4**

Fin Top Bracket 40 cm ■  
SS316 ■

Ord Nr. : M26763

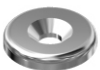


Holes on Fin

Accessories to be ordered separately

S.No.	Fin Thickness - T	C
1	12 mm	96 mm
2	15 mm	99 mm
3	19 mm	103 mm

**Accessories**



RS2FBB Washer  
Ord Nr. M10138



Fisher Anchor SLM 8N  
Ord Nr. M10075



CSK Allen Screw M8X60  
Ord Nr. M12633



Grouting Plate BFT4  
Details on page 7

**Tools**



18X19



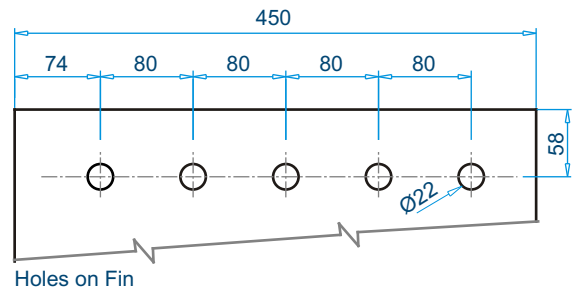
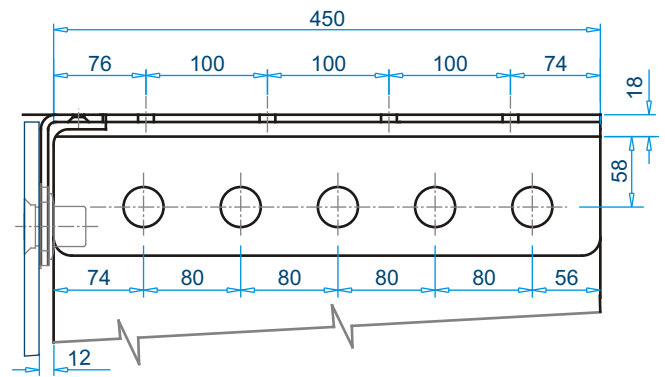
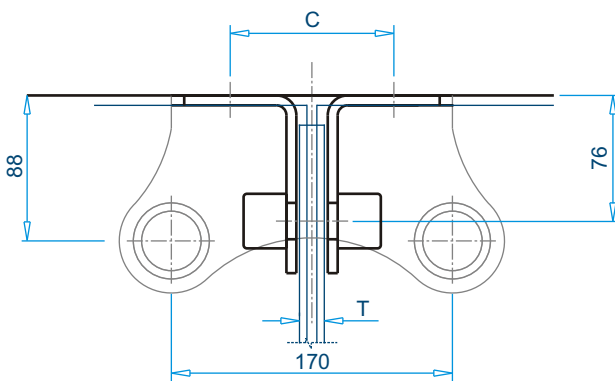
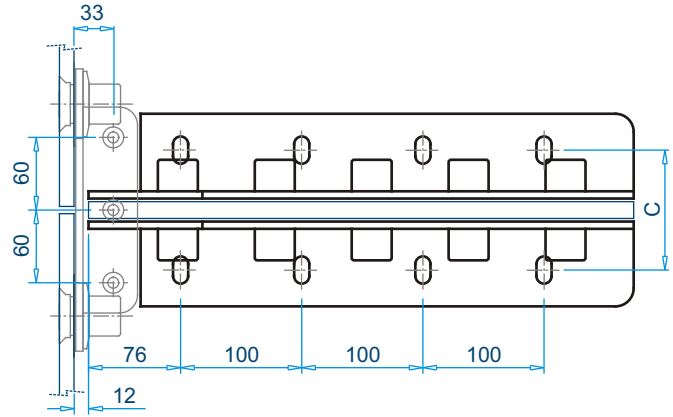
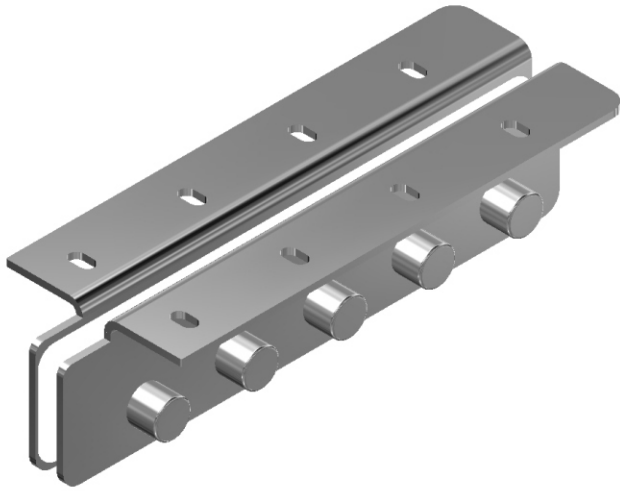
ALLEN 5

**BFT4.5**

Fin Top Bracket 45 cm ■

SS316 ■

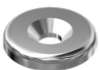
Ord Nr. : M30158



Accessories to be ordered separately

S.No.	Fin Thickness - T	C
1	12 mm	96 mm
2	15 mm	99 mm
3	19 mm	103 mm

**Accessories**



RS2FBB Washer  
Ord Nr. M10138



Fisher Anchor SLM 8N  
Ord Nr. M10075



CSK Allen Screw M8X60  
Ord Nr. M12633



Grouting Plate BFT4.5  
Details on page 7

**Tools**



18X19



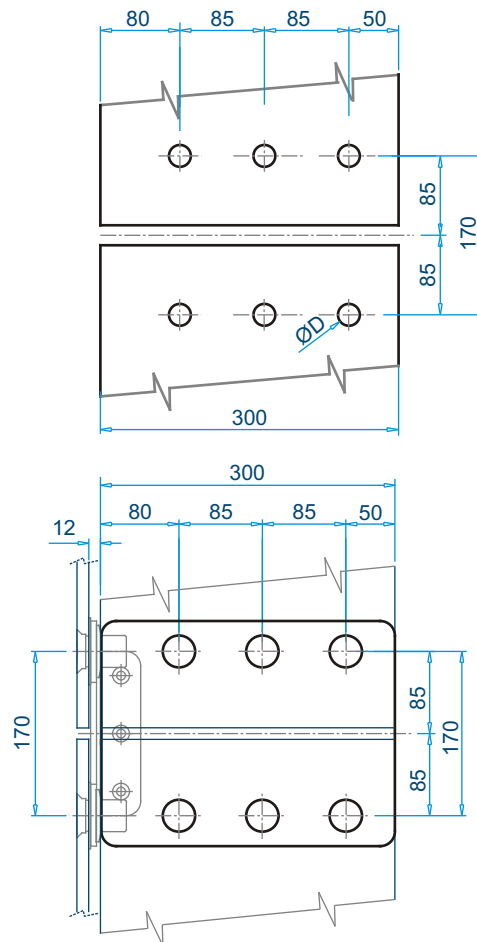
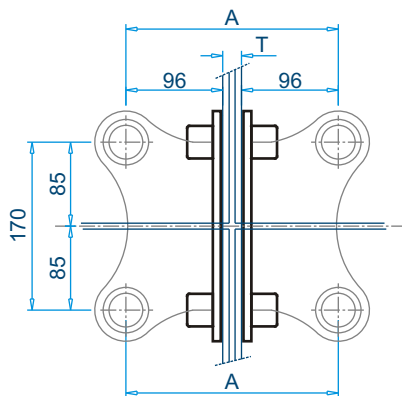
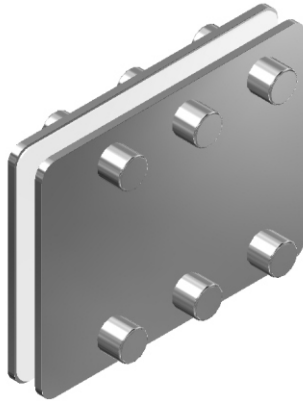
ALLEN 5

**BFP**

Butterfly Spliced Fin Plate ■

SS316 ■

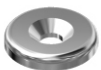
Ord Nr. : M26764



S.No.	Fin Thickness - T	Hole Dist. - A	Hole Dia. - D
1	10 mm	202 mm	22 mm
2	12 mm	204 mm	22 mm
3	15 mm	207 mm	22 mm
4	19 mm	211 mm	22 mm
5	25 mm	218 mm	22 mm

Accessories to be ordered separately

**Accessories**



RS2FBB Washer  
Ord Nr. M10138



Fisher Anchor SLM 8N  
Ord Nr. M10075



CSK Allen Screw M8X60  
Ord Nr. M12633

**Tools**



18X19

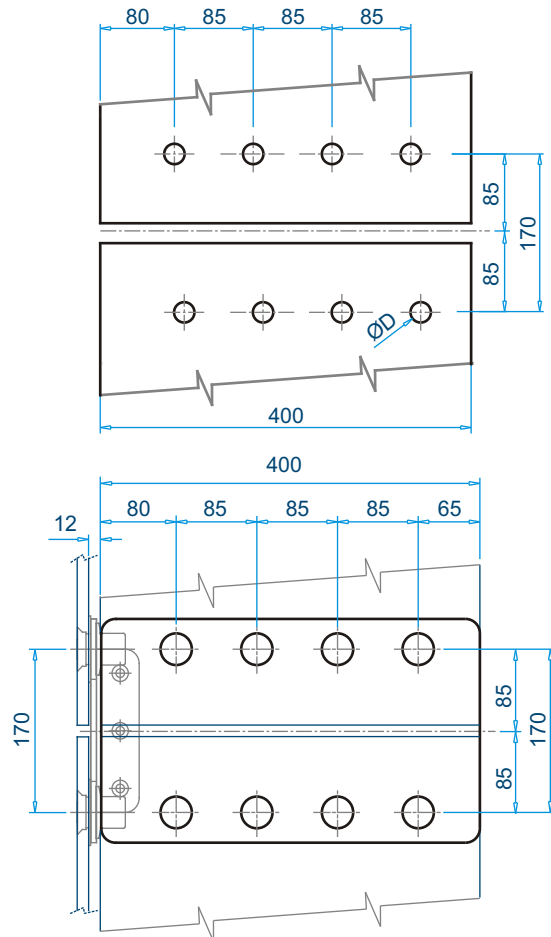
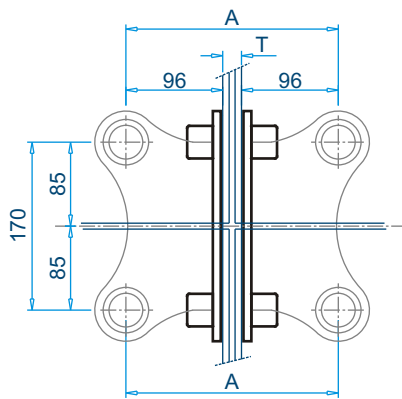
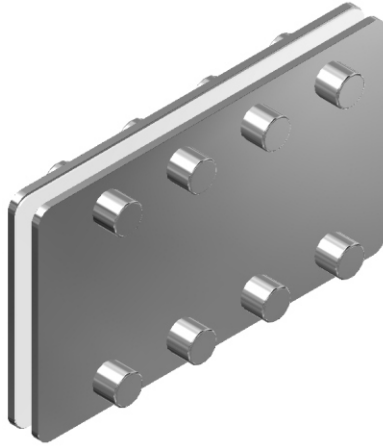


ALLEN 5

### BFP4

Butterfly Spliced Fin Plate 40 cm ■  
SS316 ■

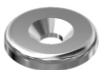
Ord Nr. : M26765



S.No.	Fin Thickness - T	Hole Dist. - A	Hole Dia. - D
1	10 mm	202 mm	22 mm
2	12 mm	204 mm	22 mm
3	15 mm	207 mm	22 mm
4	19 mm	211 mm	22 mm
5	25 mm	218 mm	22 mm

Accessories to be ordered separately

#### Accessories



RS2FBB Washer  
Ord Nr. M10138



Fisher Anchor SLM 8N  
Ord Nr. M10075



CSK Allen Screw M8X60  
Ord Nr. M12633

#### Tools



18X19

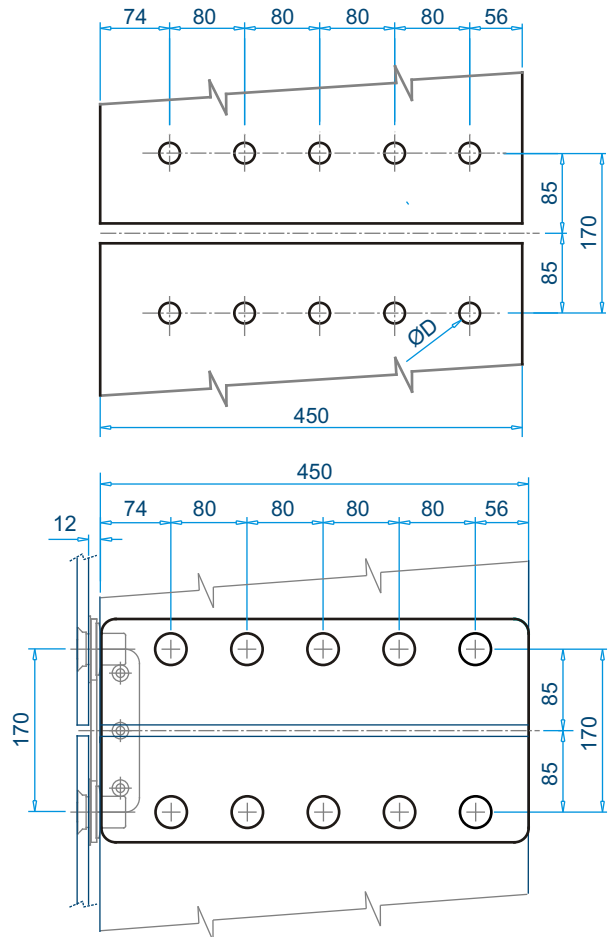
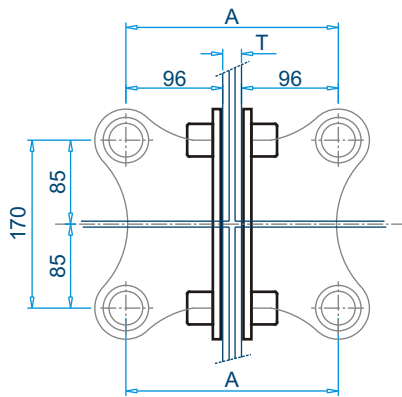
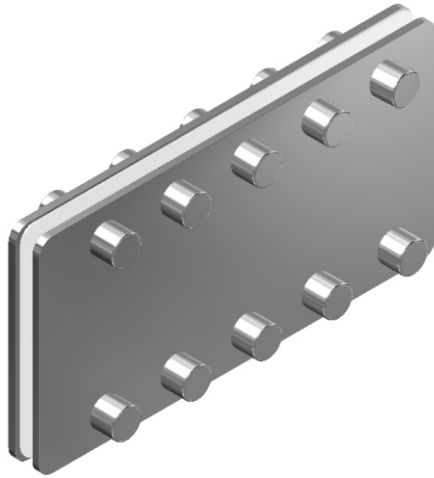


ALLEN 5

# BFP4.5

Butterfly Spliced Fin Plate 45 cm ■  
SS316 ■

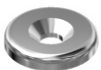
Ord Nr. : M30160



S.No.	Fin Thickness - T	Hole Dist. - A	Hole Dia. - D
1	10 mm	202 mm	22 mm
2	12 mm	204 mm	22 mm
3	15 mm	207 mm	22 mm
4	19 mm	211 mm	22 mm
5	25 mm	218 mm	22 mm

Accessories to be ordered separately

**Accessories**



RS2FBB Washer  
Ord Nr. M10138



Fisher Anchor SLM 8N  
Ord Nr. M10075



CSK Allen Screw M8X60  
Ord Nr. M12633

**Tools**



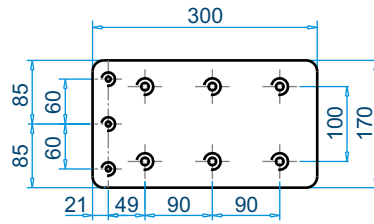
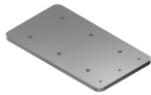
18X19



ALLEN 5

# ACCESSORIES

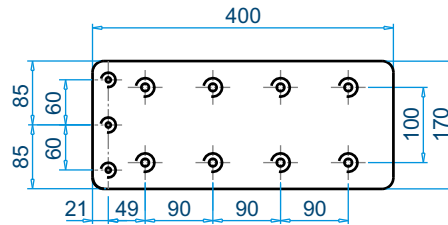
(Optional, to be ordered separately)



**GROUTING PLATE BFT**

**Ord Nr. M18381**

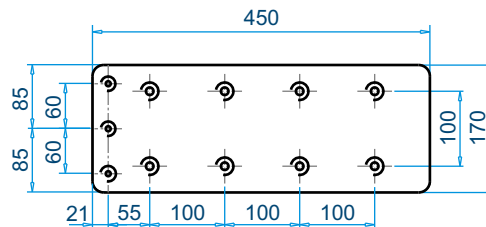
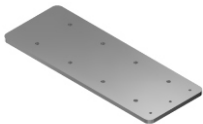
**Usable in : BFT**



**GROUTING PLATE BFT4**

**Ord Nr. M26795**

**Usable in : BFT4**



**GROUTING PLATE BFT4.5**

**Ord Nr. M26796**

**Usable in : BFT4.5**

## SPARE PARTS



**STUD M12**

S.No.	Glass Thickness	Stud Size	Ord Nr.
1	10 mm to 19 mm	Stud M12X73	M10126
2	20 mm to 25 mm	Stud M12X80	M10129
3	25 mm to 30 mm	Stud M12X85	M50227
4	30 mm to 35 mm	Stud M12X90	M13676